

MULTITEL

SMX 250.2

Ente	Rev.	Descrizione	Data	Dis.	Contr.	Ap.AQ
MRK	0	EMISSIONE	03/04/19	A.G.		

DIAGRAMMA - SCHEDA 54/2 - Rev. 0 - 15/12/00

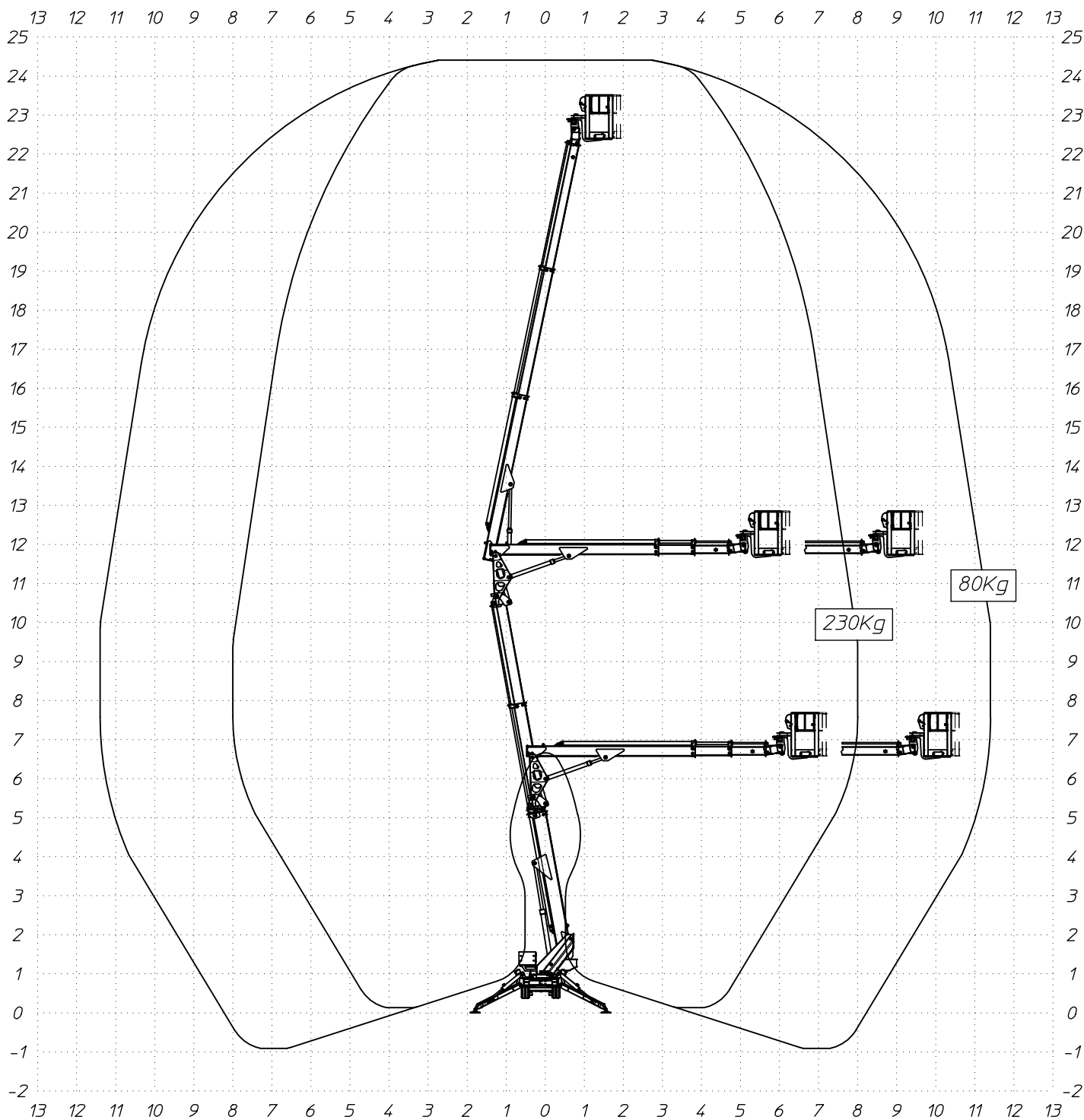
D66441

STABILIZZATORI COMPLETAMENTE ESTESI
 FULLY EXTENDED STABILIZERS
 STABILISATEURS COMPLETEMENT ETENDUS
 GANZ AUSGEFAHRENE STÜTZEN

SBRACCIO DI LAVORO	8,00m ±5%	11,40m ±5%
WORKING OUTREACH	8,00m ±5%	11,40m ±5%
DEPORT DE TRAVAIL	8,00m ±5%	11,40m ±5%
SEITLICHE REICHWEITE	8,00m ±5%	11,40m ±5%

230Kg

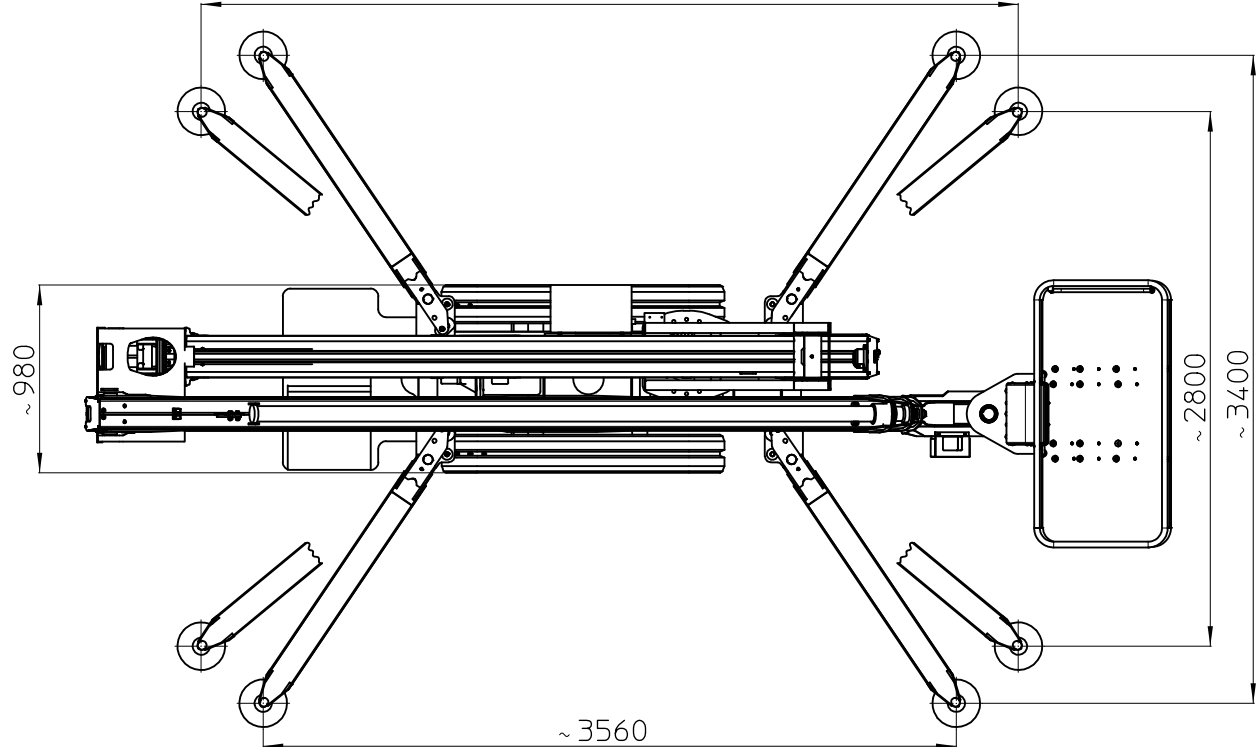
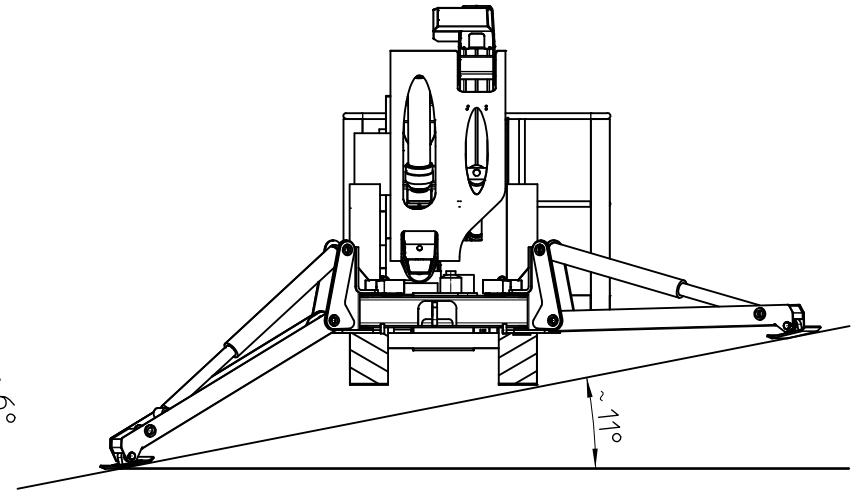
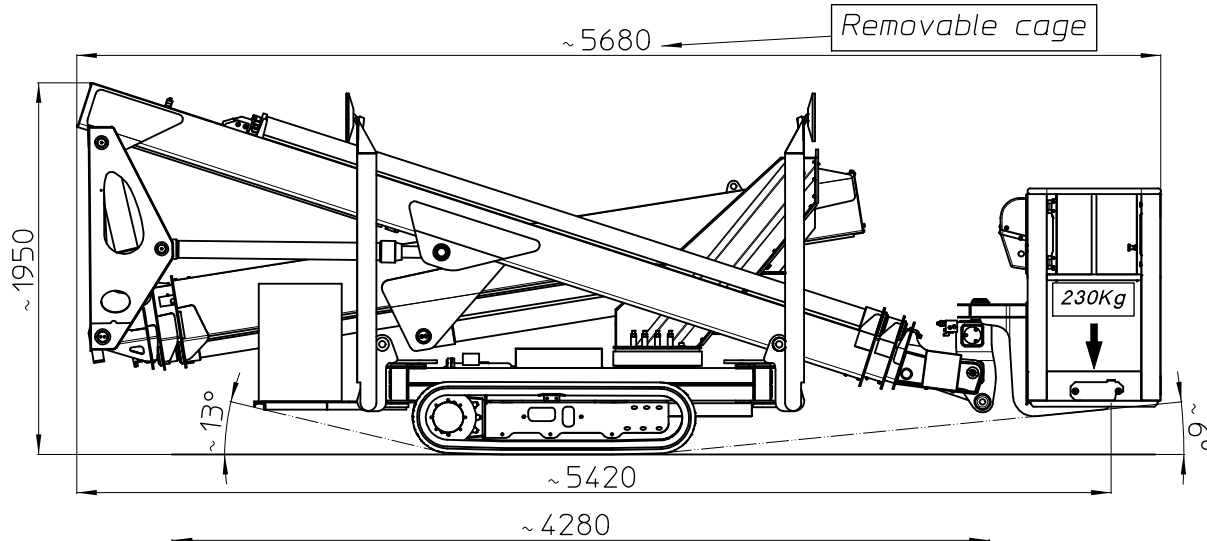
80Kg



MULTITEL SMX 250.2

Ente	Rev.	Descrizione	Data	Dis.	Contr.	Ap.AQ
MRK	0	EMISSIONE	03/04/19	A.G.		
INGOMBRO - SCHEDA 54/1 - Rev. 0 - 15/12/00						

D66443



	STABILIZATION TYPE	CAGE PAYLOAD (kg)
		230kg
WORKING DIAGRAM	PARTIALLY EXTENDED STAB.	D66442
	TOTALLY EXTENDED STAB.	D66441
STABILIZATION DRAWING		
UNLOAD WEIGHT		~2700 kg
NOTES:		